

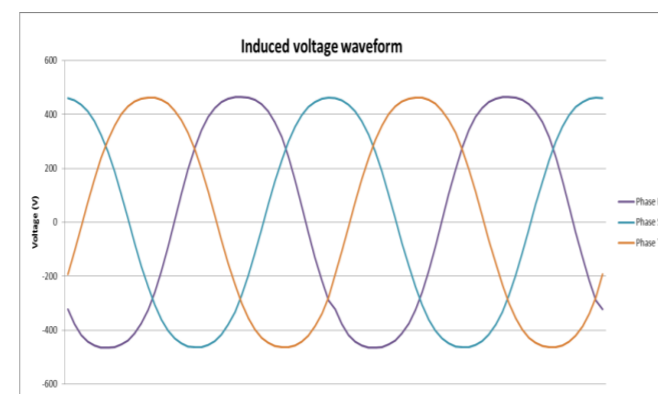
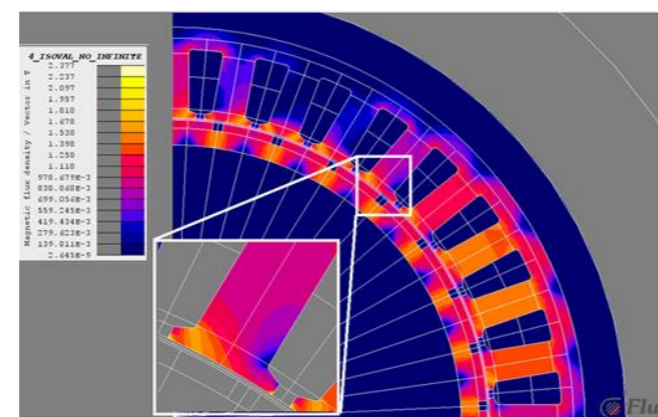
# Expertise in PMS rotating machines

In 4fores we develop, assembly, validate, and test Permanent Magnet Synchronous machines for various applications: wind, EV, lifting, hydro ...

Aware that each customer has a different set of requirements, our philosophy is to accompany our customers during the development process.

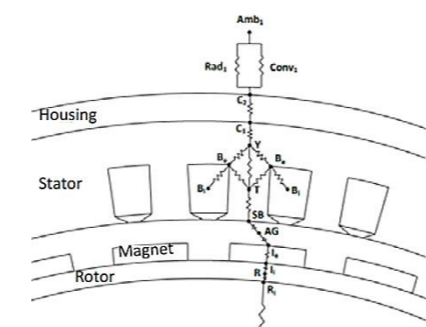
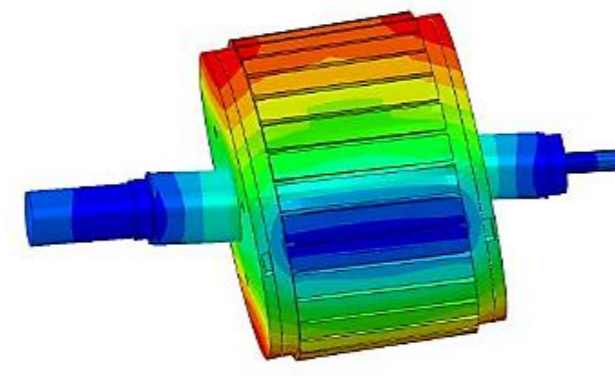


## DESIGN



Electrical

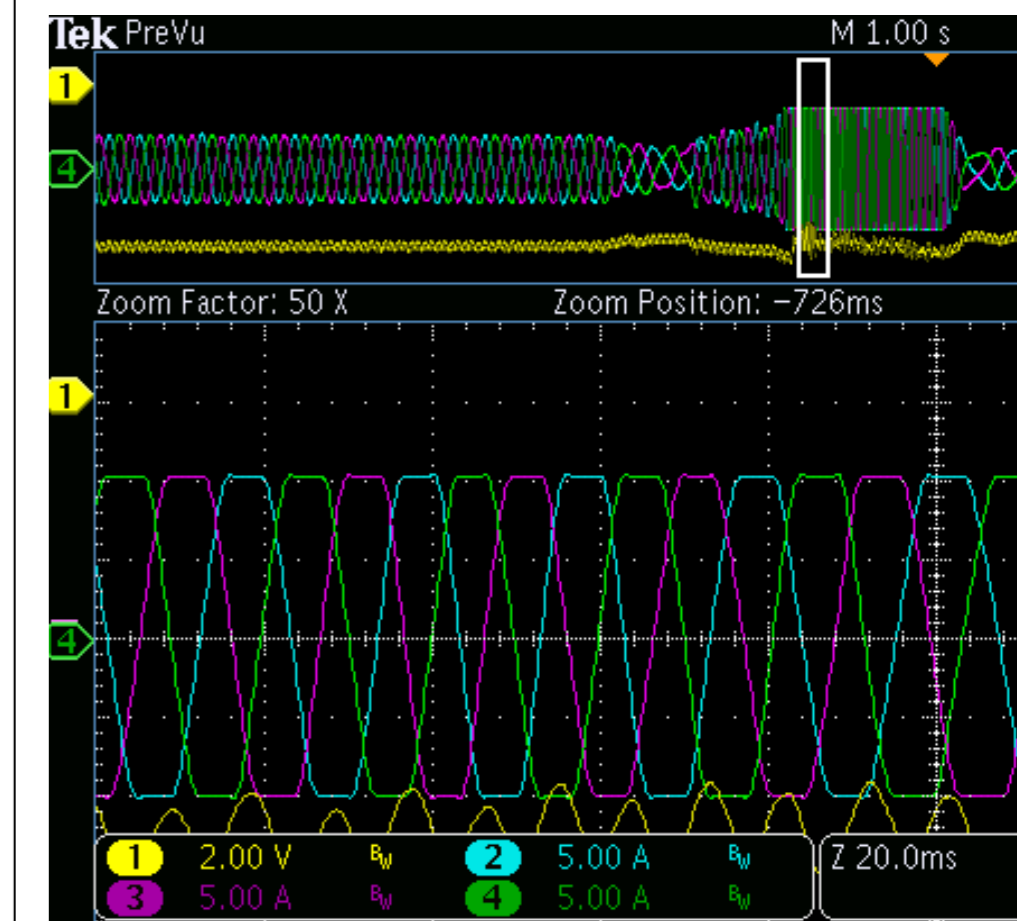
## ASSEMBLY



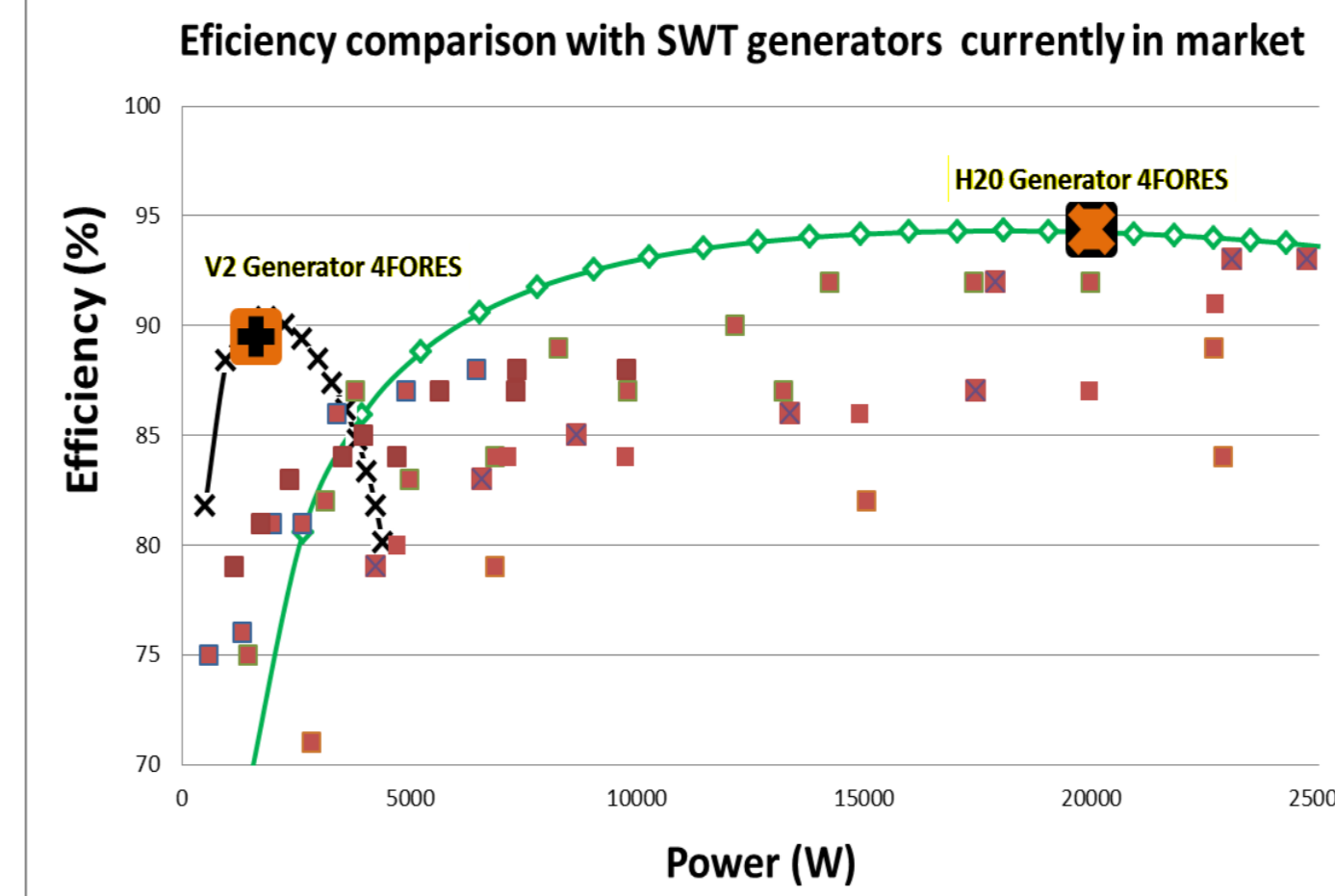
Thermal



## VALIDATION



4fores PMS rotating machine solutions: Wide range of solutions with best-in-class performance at competitive cost



Performance of 4fores PMSG vs market leading brand